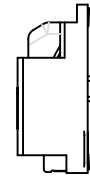
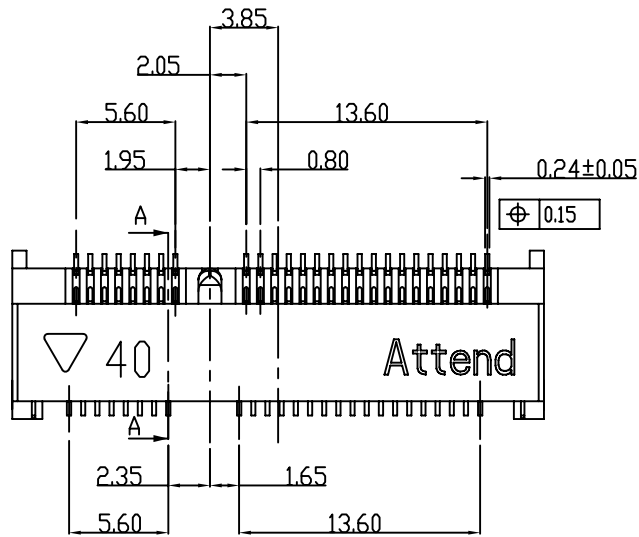
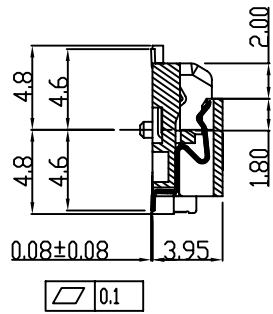


SECTION A-A



PRODUCT NO.	ITEM	PART NAME	Q'TY	MATERIAL	PLATING
119A-40A00-R02	1	BODY	1	LCP	
	2	CONTACT	52	PHOSPHOR BRONZE	GOLD 1u"
	3	HOLD DOWN	2	BRASS	TIN 100u"

Material
 Plastic Body : LCP, Color Black.
 Contact : Phosphor Bronze Alloy (C5191R-H)
 Contacts Plating: Contact area: Gold Plated
 Solder area: Tin
 Hold Down : Brass(C2680R-H)
 Hold Down Plating: Tin

Electrical:
 Rating Current: 0.5A(Max.)/(1PIN)
 Rating Voltage: 50V AC
 Contact Resistance: 30 mΩ (Max)
 Insulation Resistance: 500 MΩ (Min.)

Mechanical:
 Contact Normal Force: 50 gf per pin (Min.)
 Durability: 100 mating and unmating cycles

Environmental:
 Operating Temperature: -40°C to +90°C
 Storage Temperature: -40°C to +90°C
 Solder ability: 260±5°C

PRODUCT NUMBER:
 119A-40 A 0 0-R02
 1 2 3 4

- 1.Stand off
40: 4.0mm
- 2.Contact plating
A:gold flash
- 3.Color
0:black
- 4.RoHS

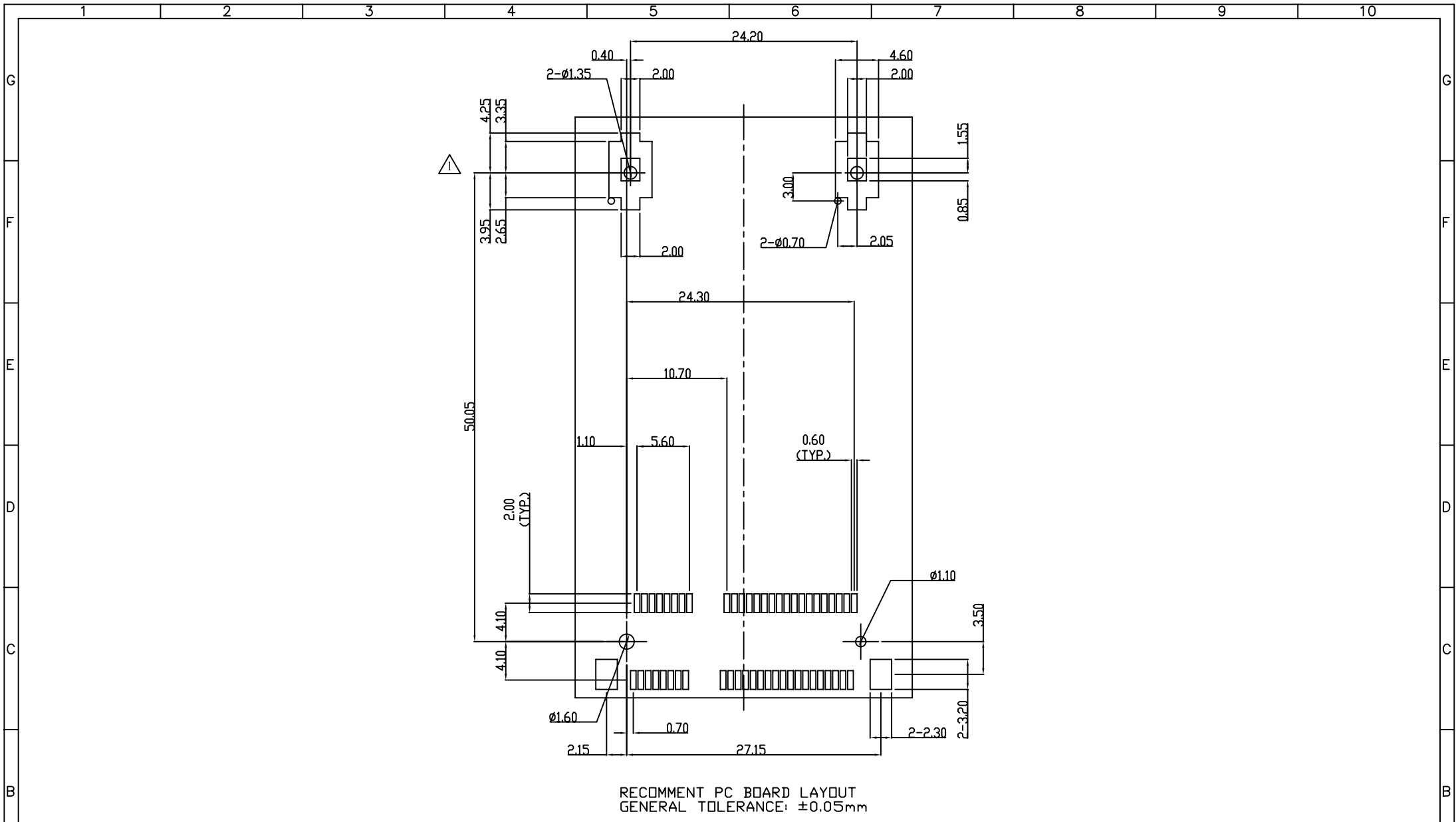
UNLESS OTHERWISE SPECIFIED TOLERANCE	
ANG.	±5
0.	±0.3
.0	±0.25
.00	±0.20

SCALE:	AS SHOWN	UNIT:	mm
DRAWN	Willis	DATE	2010/01/15
CHECKED	Angel	DATE	2010/01/15
APPROVED	Ken	DATE	2010/01/15


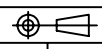


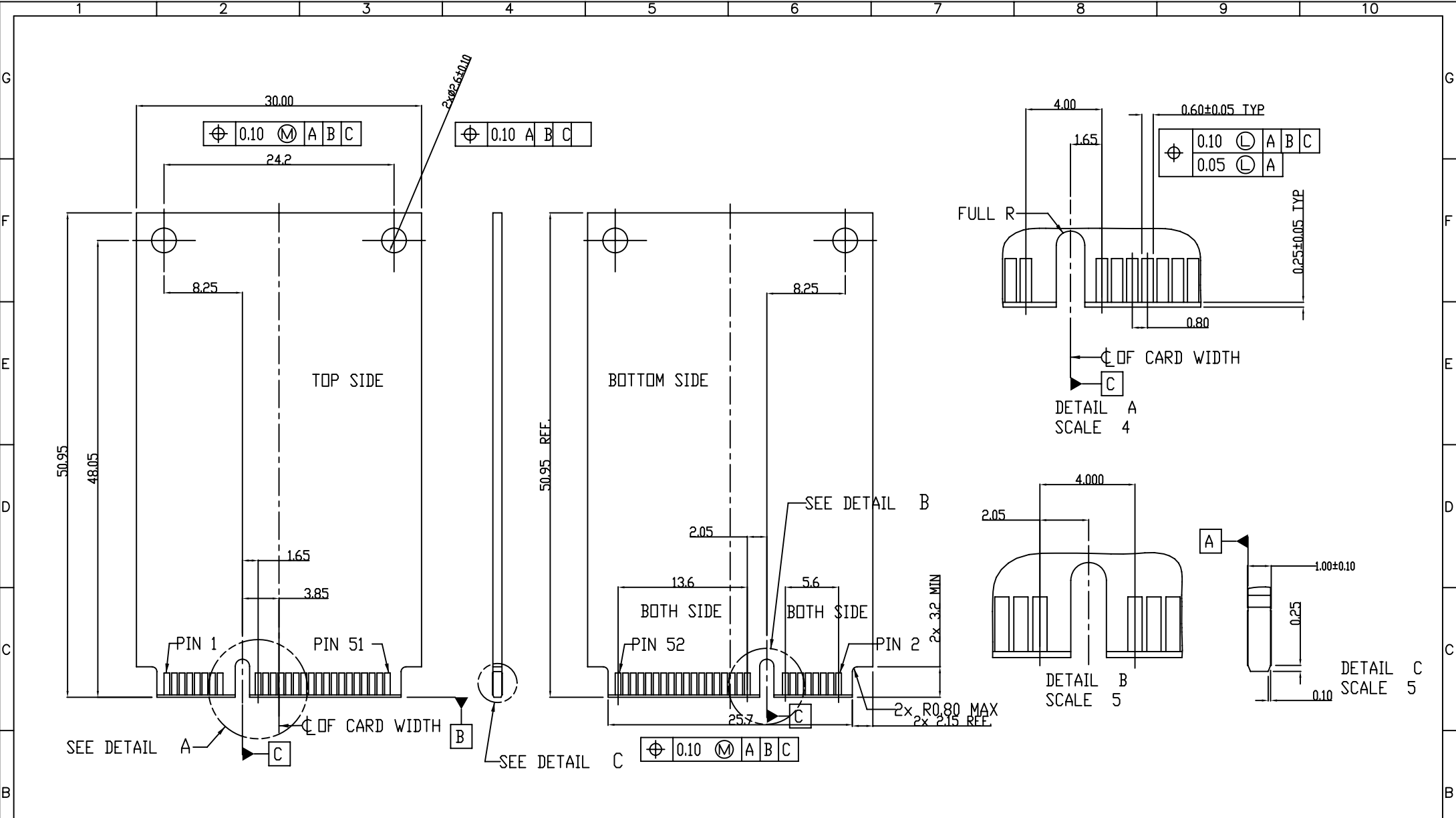
1 Revise: Latch Layout

REV.	DESCRIPTION	DATE	SIZE	REV.	FILE NAME:
1		2010/01/15	A4		119A-40A00-R02_B_2

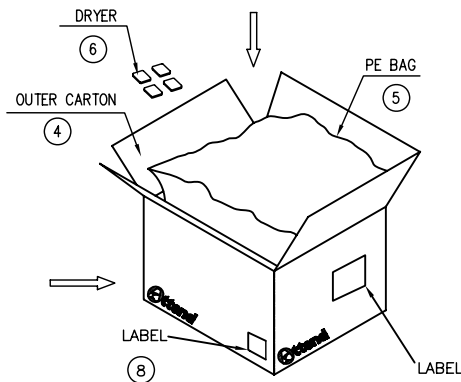
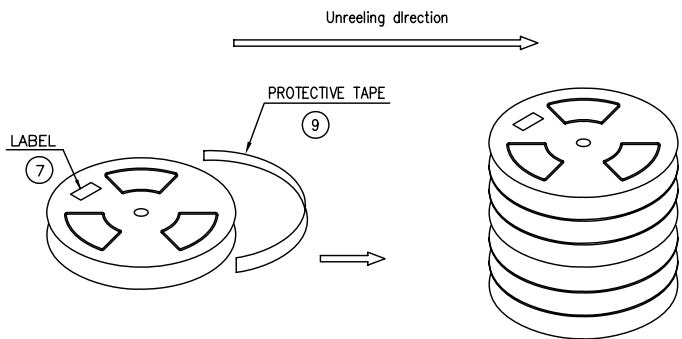
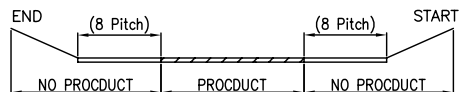
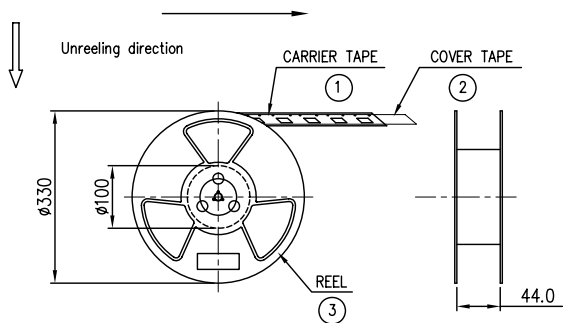
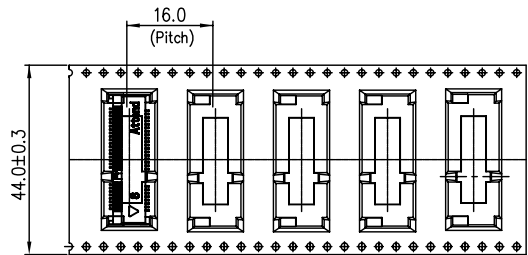


RECOMMEND PC BOARD LAYOUT
 GENERAL TOLERANCE: ±0.05mm

						UNLESS OTHERWISE SPECIFIED TOLERANCE ANG. ±5° 0. ±0.3 .0 ±0.25 .00 ±0.20		 ATTEND TECHNOLOGY INC. www.attend.com.tw				
						SCALE: AS SHOWN	UNIT: mm			DRAWN NAME: MINI PCI EXPRESS CONNECTOR H=4.0mm		
						DRAWN Willis		2010/01/15		PRODUCT NO. 119A-40A00-R02		
						CHECKED Angel		2010/01/15		FILE NAME: 119A-40A00-R02_B_2		
△ Revise: Latch Layout						2010/01/15		APPROVED Ken		2010/01/15		
REV.	DESCRIPTION					DATE	 SIZE A4		REV.			



						UNLESS OTHERWISE SPECIFIED TOLERANCE		 Attend ATTEND TECHNOLOGY INC. www.attend.com.tw			
						ANG. ±5 0. ±0.3 .0 ±0.25 .00 ±0.20					
						SCALE: AS SHOWN	UNIT: mm		DRAWN NAME:		
						DRAWN Willis		2010/01/15		MINI PCI EXPRESS CONNECTOR H=4.0mm	
						CHECKED Angel		2010/01/15		PRODUCT NO. 119A-40A00-R02	
						APPROVED Ken		2010/01/15		FILE NAME: 119A-40A00-R02_B_2	
1 Revise: Latch Layout						DATE		SIZE A4		REV.	
REV.	1	2	3	4	5	6	7	8	9	10	
	DESCRIPTION										



NOTES:
1. PACKING STYLE:

119A-40A00-R02
700 PCS/REEL
4200 PCS/OUTER CARTON

119A-52A00-R02
600 PCS/REEL
3600 PCS/OUTER CARTON

119A-56A00-R02
550 PCS/REEL
3300 PCS/OUTER CARTON

119A-80A00-R02
400 PCS/REEL
2400 PCS/OUTER CARTON



119A-92A00-R02
350 PCS/REEL
2100 PCS/OUTER CARTON

2. MATERIAL CARRIER TAPE: PS BLACK
COVER TAPE: PET FILM
REEL: PLASTIC

3. PEEL STRENGTH OF COVER TAPE: 20-80g (PEEL SPEED 300mm/MINUTE).

10	PARTITION BOARD	4	PCS	
9	PROTECTIVE TAPE	3	PCS	
8	LABEL	1	PCS	
7	LABEL	6	PCS	
6	DRYER	4	BAG	
5	PE BAG	1	PCS	L850*W750mm
4	OUTER CARTON	1	PCS	
3	REEL	6	SET	330*100mm, W=44mm
2	COVER TAPE	SEE NOTES	6	PCS W=37.5mm
1	CARRIER TAPE	SEE NOTES	6	PCS W=44mm, T=0.35mm
NO	PACKING NAME	PCS/R/ R/BOX	UNIT	NOTE
		PACKING QTY		

UNLESS OTHERWISE SPECIFIED TOLERANCE

ANG. ±5
0. ±0.3
.0 ±0.25
.00 ±0.20

SCALE: AS SHOWN UNIT: mm

DRAWN Willis 2010/01/21

CHECKED Angel 2010/01/21

APPROVED Ken 2010/01/21

DATE 2010/01/21

SIZE A4



ATTEND TECHNOLOGY INC.

www.attend.com.tw

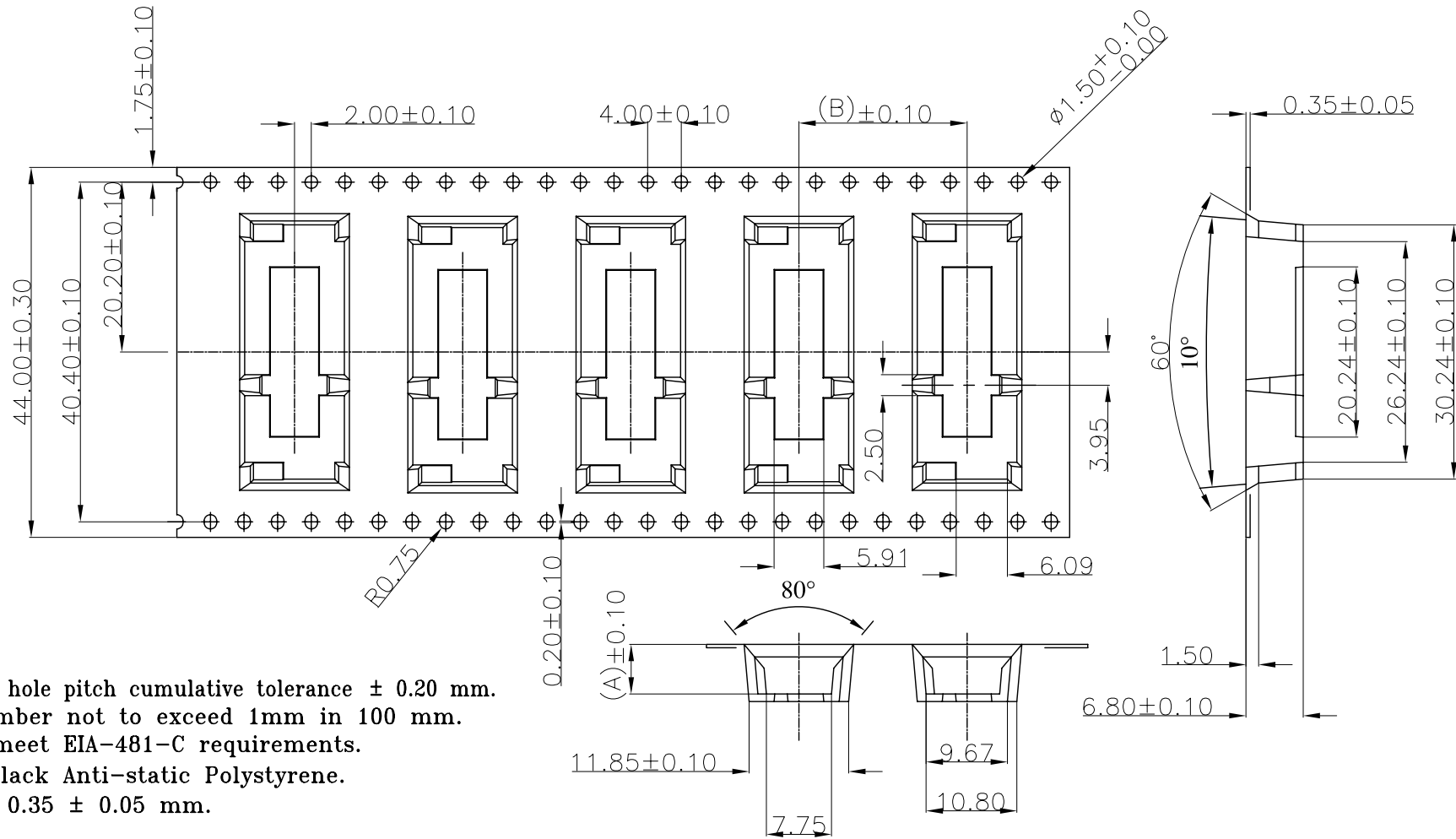
DRAWN NAME: MINI PCI EXPRESS CONNECTOR

PRODUCT NO. 119A-XXA00-R02

FILE NAME: 119A-XXA00-R02_D_2

1 REVISE: NOTE

REV.	DESCRIPTION	DATE	SIZE	REV.	FILE NAME
1		2010/01/21	A4		119A-XXA00-R02_D_2



NOTES:

1. 10 sprocket hole pitch cumulative tolerance ± 0.20 mm.
2. Carrier camber not to exceed 1mm in 100 mm.
3. All scope meet EIA-481-C requirements.
4. Material: Black Anti-static Polystyrene.
5. Thickness: 0.35 ± 0.05 mm.

DIM.	119A-40A00-R02	119A-52A00-R02	119A-56A00-R02	119A-80A00-R02	119A-92A00-R02
A	4.30	5.50	5.90	8.30	9.50
B	16.00	16.00	16.00	16.00	20.00

UNLESS OTHERWISE SPECIFIED TOLERANCE	
ANG.	± 5
0.	± 0.3
.0	± 0.25
.00	± 0.20
SCALE:	AS SHOWN
UNIT:	mm
DRAWN	Willis
CHECKED	Angel
APPROVED	Ken
DATE	2010/01/21
SIZE	A4

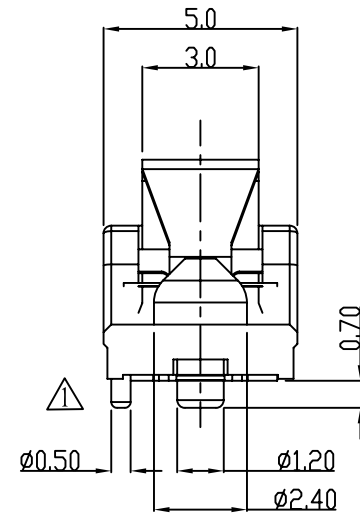
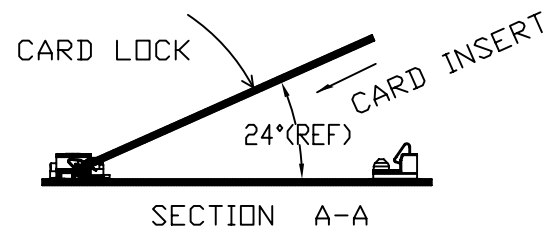
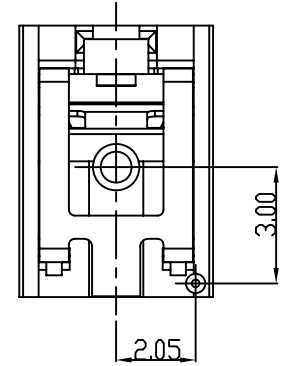
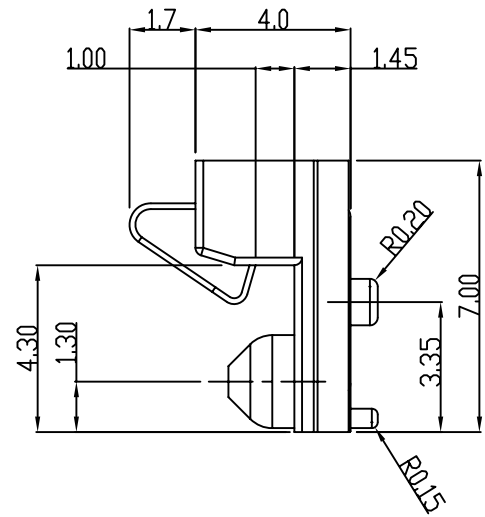
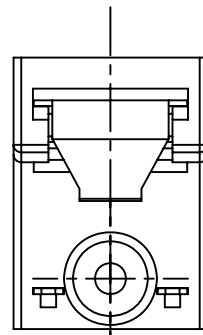
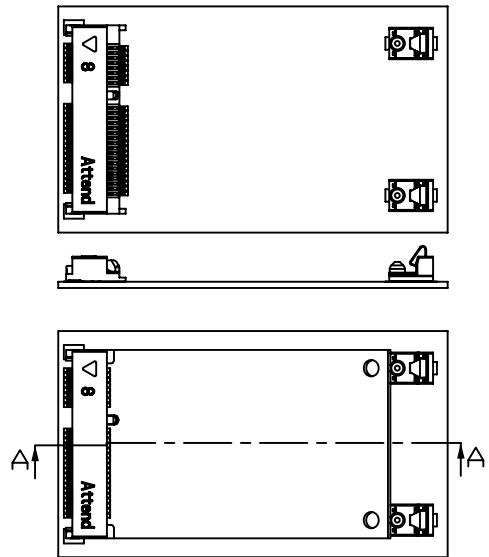
Attend
ATTEND TECHNOLOGY INC.
www.attend.com.tw

DRAWN NAME:
MINI PCI EXPRESS CONNECTOR

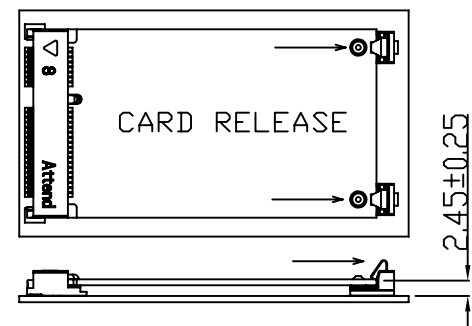
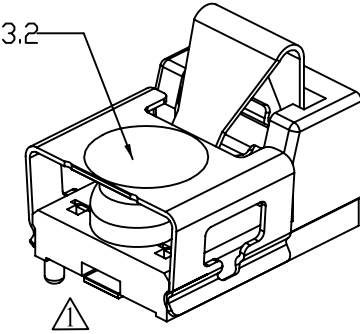
PRODUCT NO. 119A-XXA00-R02

FILE NAME: 119A-XXA00-R02_D_2

REV.	DESCRIPTION	DATE	SIZE	REV.
1			A4	



PICK & PLACE AREA $\phi 3.2$



PRODUCT NO.	ITEM	PART NAME	Q'TY	MATERIAL	PLATING
119A-LATCH-40	1	BODY	1	LCP	
	2	LATCH	1	PHOSPHOR BRONZE	TIN 100u"
	3	COVER	1	STAINLESS	N/A

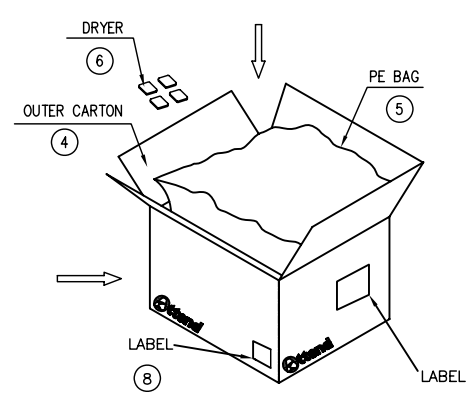
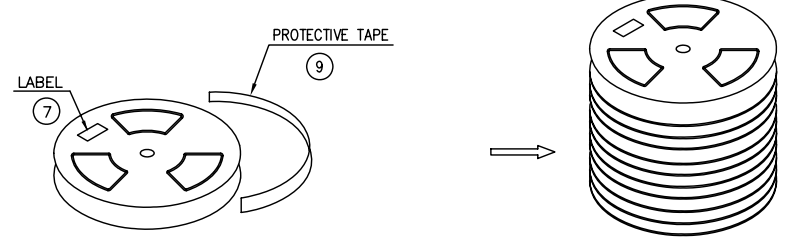
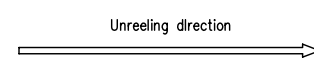
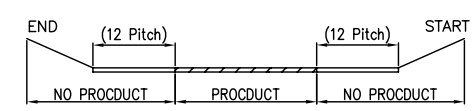
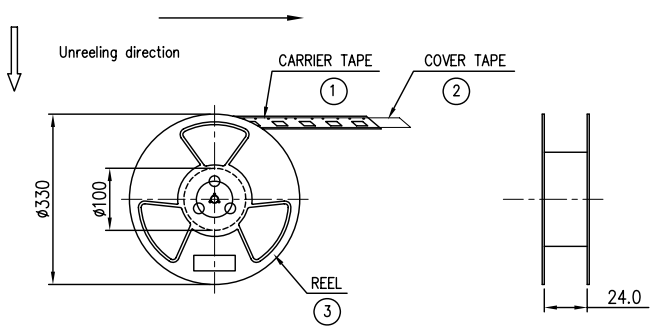
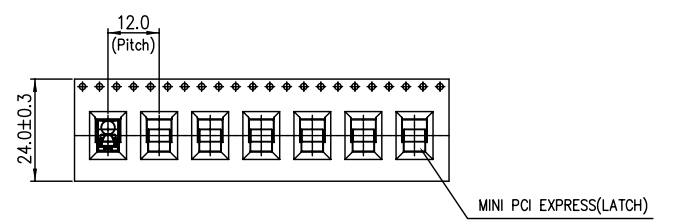
UNLESS OTHERWISE SPECIFIED TOLERANCE	
ANG.	±5°
0.	±0.3
.0	±0.25
.00	±0.20

SCALE:	AS SHOWN	UNIT:	mm
DRAWN	Willis	DATE	2010/01/15
CHECKED	Angel	DATE	2010/01/15
APPROVED	Ken	DATE	2010/01/15
DATE	2010/01/15	SIZE	A4



Revise: (1) Peg (2)Housing(3)Solder Pad

REV.	DESCRIPTION	DATE	SIZE	REV.	FILE NAME:
1	Revise: (1) Peg (2)Housing(3)Solder Pad	2010/01/15	A4		119A-LATCH-40_B_2



- NOTES:
- 1. PACKING STYLE 119A-LATCH-40 (4.0H)
700 PCS/REEL
7000 PCS/OUTER CARTON
 - 119A-LATCH-52 (5.2H)
600 PCS/REEL
6000 PCS/OUTER CARTON
 - 119A-LATCH-56 (5.6H)
550 PCS/REEL
5500 PCS/OUTER CARTON
 - 119A-LATCH-80 (8.0H)
400 PCS/REEL
4000 PCS/OUTER CARTON
 - 119A-LATCH-92 (9.2H)
350 PCS/REEL
3500 PCS/OUTER CARTON

- 2. MATERIAL CARRIER TAPE: PS BLACK
COVER TAPE: PET FILM
REEL: PLASTIC
- 3. PEEL STRENGTH OF COVER TAPE: 20-80g (PEEL SPEED 300mm/MINUTE).

10	PARTITION BOARD	4	PCS	
9	PROTECTIVE TAPE	3	PCS	
8	LABEL	1	PCS	
7	LABEL	6	PCS	
6	DRYER	4	BAG	
5	PE BAG	1	PCS	L850*W750mm
4	OUTER CARTON	1	PCS	
3	REEL	10	SET	Ø330*100mm,W=44mm
2	COVER TAPE	SEE NOTES	10	PCS W=21.5mm
1	CARRIER TAPE			W=24mm,T=0.5mm
NO	PACKING NAME	PCS/R	R/BOX	UNIT
		PACKING	QTY	NOTE

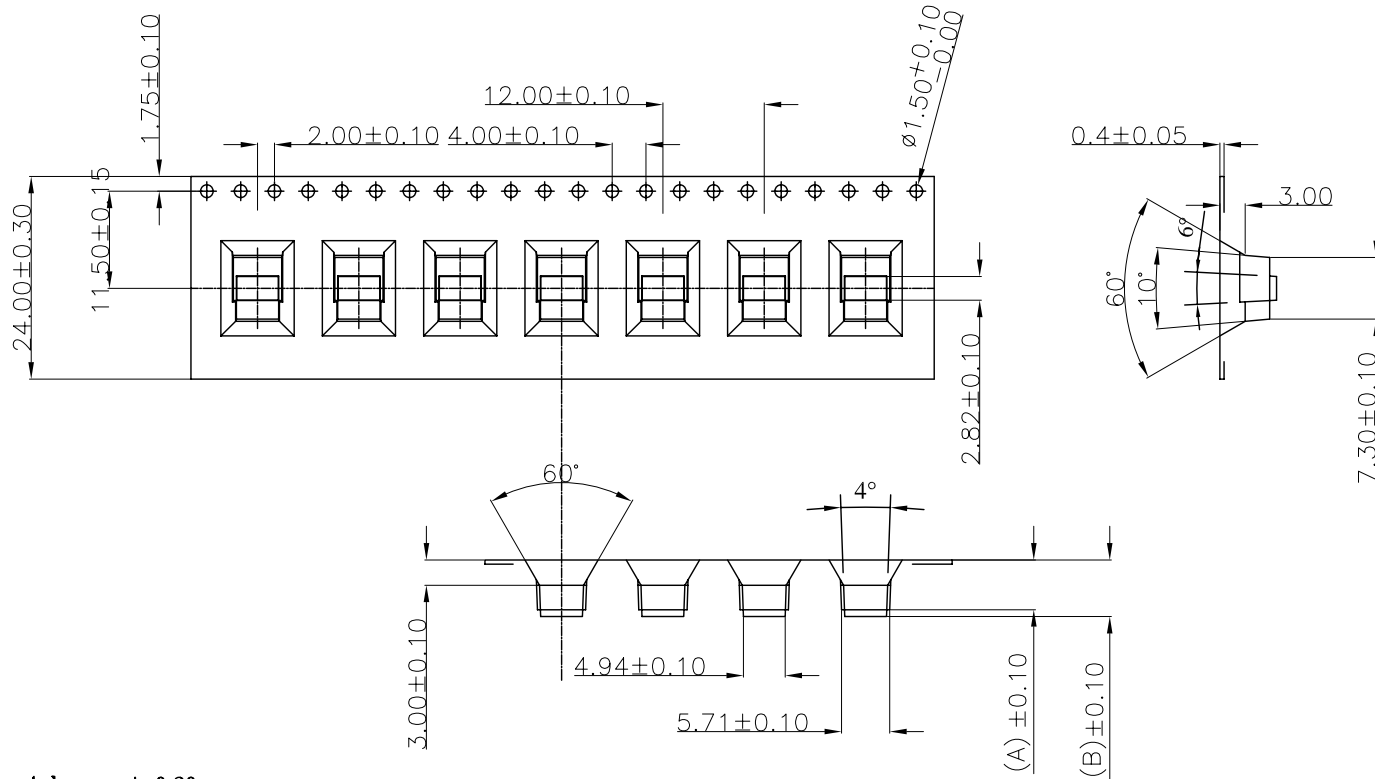
UNLESS OTHERWISE SPECIFIED TOLERANCE	
ANG.	±5
0.	±0.3
.0	±0.25
.00	±0.20

SCALE:	AS SHOWN	UNIT:	mm
DRAWN	Willis	DATE	2009/11/11
CHECKED	Angel	DATE	2009/11/11
APPROVED	Ken	DATE	2009/11/11

Attend
ATTEND TECHNOLOGY INC.
www.attend.com.tw

DRAWN NAME: MINI PCI EXPRESS LATCH
PRODUCT NO. 119A-LATCH-XX
FILE NAME: 119A-LATCH-XX_D_1

REV.	DESCRIPTION	DATE
1		
2		
3		
4		
5		
6		
7		



- NOTES:**
- 1.10 sprocket hole pitch cumulative tolerance ± 0.20 mm.
 2. Carrier camber not to exceed 1mm in 100 mm.
 3. All scope meet EIA-481-C requirements.
 4. Material: Black Anti-static Polystyrene.
 5. Thickness: 0.40 ± 0.05 mm.

DIM.	119A-LATCH-40	119A-LATCH-52	119A-LATCH-56	119A-LATCH-80	119A-LATCH-92
A	5.90	7.10	7.50	9.90	11.10
B	6.70	7.90	8.30	10.70	11.90

UNLESS OTHERWISE SPECIFIED TOLERANCE	
ANG.	$\pm 5^\circ$
0.	± 0.3
.0	± 0.25
.00	± 0.20
SCALE: AS SHOWN	UNIT: mm
DRAWN Willis	2009/11/11
CHECKED Angel	2009/11/11
APPROVED Ken	2009/11/11
DATE	SIZE A4

Attend
ATTEND TECHNOLOGY INC.
www.attend.com.tw

DRAWN NAME: MINI PCI EXPRESS LATCH

PRODUCT NO. 119A-LATCH-XX

FILE NAME: 119A-LATCH-XX_D_1

REV.	DESCRIPTION	DATE	SIZE	REV.	FILE NAME
1			A4		119A-LATCH-XX_D_1